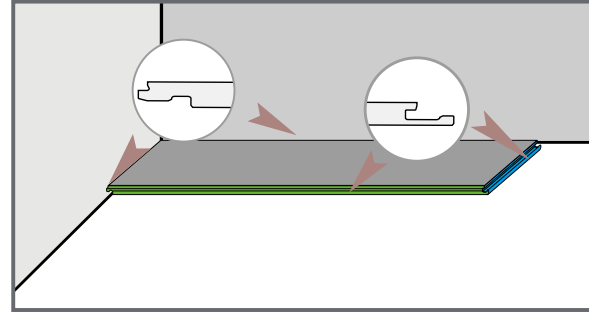


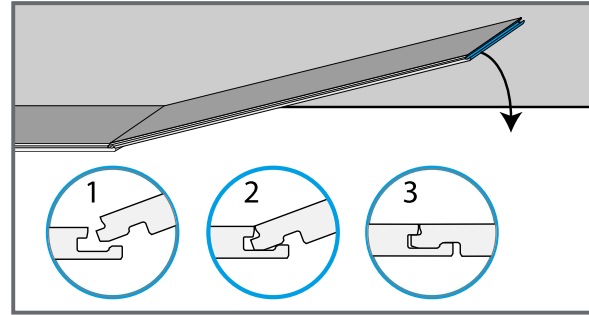
#### STEP 1

Preparation. Basic tools. Planks should be stored flat in the desired room, at least 24 hours prior to installation and at min. 15°C. The subfloor must be dust free, clean, hard and dry. Begin the installation along the wall. Always install the planks from left to right.



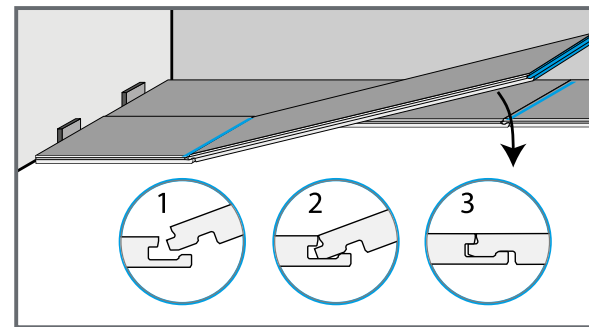
#### STEP 2

Install the second plank in the row by angling the end tongue into the end groove of the first plank. Be careful not to bend the corner of the plank.



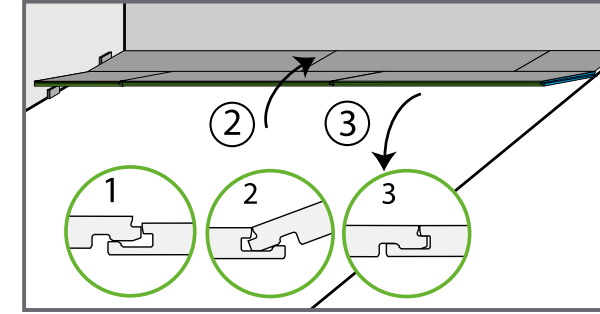
#### STEP 3

Start the second row by cutting a plank to the desired length. Keep in mind that the plank must not be shorter than 30 cm for an optimum look and overall stability. Install the first plank in the second row by inserting the long side tongue into the groove of the plank in the first row. Install the second plank in the second row by inserting the short end tongue into the previously installed plank groove.



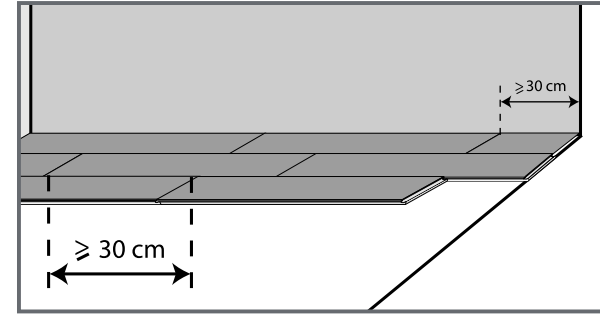
#### STEP 4

Once the short ends are locked, the long ends need to be locked in the 1<sup>st</sup> row:  
1) the planks are sitting on the groove of the 1<sup>st</sup> row.  
2) raise the 2<sup>nd</sup> row to insert it in the groove of the 1<sup>st</sup> row.  
3) lower the full row: it's locked!



#### STEP 5

Proceed this way for all the rows to complete the room, making sure no plank is shorter than 30 cm and that you create a scale effects between the rows.



## Cleaning and Maintenance

Give the floor a final clean after installation. The floor can be maintained by sweeping, vacuuming or mopping. Use a brush and a pH-neutral detergent to remove stubborn dirt. All aggressive and staining substances must be removed from the surface immediately.

## Repair / replace "Starfloor Click 30"

In the unlikely case that you should replace a damaged plank,

To replace a damaged plank, cut around the plank (following the joint) with a cutter. Remove the damaged plank. Then take a new plank and cut its groove and tongue. Before installing this plank, make sure you respect the design orientation. The replacing plank and the surrounding ones should be fixed to the subfloor using double-sided tape. Make sure you roll and press all these planks properly to ensure their good bonding to the floor.

# Starfloor Click 30 & 30<sup>PLUS</sup>

LUXURY VINYL TILES

All you need to know to install and maintain your floor

10/2017



## Use

### USAGE

**Starfloor Click 30** is a flooring exclusively meant for a residential indoor usage.



\*follow our specific installation recommendations

## Important information prior to installation

### TOOLS FOR THE INSTALLATION

- Knife with straight blade
- Protective gloves
- Folding rule/measuring tape
- Pencil/T-square
- Spacers

### EXAMINATION OF THE GOODS

Check the quality of the goods supplied before proceeding with the preparation work. Claims cannot be made on goods that have been cut to size or laid. The installation must be done using the same production batch in order to guarantee the uniformity of colour and design.

## Subfloor condition

Prepare the surface according to the standards in force in your country. The surface must be level, firm and not exposed to rising humidity. The maximum flatness tolerance is 3mm under 2m metal ruler. Textile and needle felt floor coverings must be removed. In principle, it is recommended that all floor coverings are removed. We advise not proceeding with the installation of **Starfloor Click 30** in the event of:

- Significant uneven areas (in excess of standards of flatness applied in the countries concerned),
- Cracks in the subfloor,
- Subfloor insufficiently dry,
- Surface insufficiently firm, too porous or too rough,
- Surface contaminated, e.g. by oil, wax, varnish or paint residue,
- Difference in level between the subfloor and other structural elements,
- Unsuitable subfloor temperature (below 15°C),
- Room temperatures lower than 15°C or higher than 25°C,
- No heating protocole in case of underfloor heating system (Maximum temperature of 27°C during lifetime).



### ACCLIMATISATION

**Starfloor Click 30** should be acclimatised for at least 24 hours in the rooms where it is to be installed according to the conditions detailed below.

### ROOM TEMPERATURE CONDITIONS

**Starfloor Click 30** should be installed at room temperature, between 15°C and 25°C. The temperature of the subfloor on which the product is to be installed must not be less than 15°C.

### PERMITTED SUBFLOORS

- Laminate/parquet
- Even stone floors, marble, ashlar
- Ceramic tiles  
(seam requirements: < 5 mm wide/< 2 mm deep)
- Compact PVC coverings
- Even floor screeds: new or reworked

The warranty of the product is invalid when unapproved subfloors are used.

## Installation

### INSTALLATION OF TARKOMFORT PREMIUM OR TARKOMFORT PRO UNDERLAY

We highly recommend the use of Tarkomfort Premium or Tarkomfort Pro underlay on any kind of subfloor.

These underlays offer the following advantages:

- Even out minor irregularities of the surface, e.g. when installing on ceramic tiles, wooden floors, etc
- Improve footstep noise and noise transmission levels (19 dB for Tarkomfort Premium and 13 dB for Tarkomfort Pro),
- Increase underfoot comfort,
- Make the installation easier.

For more information about the underlay installation, check the installation instructions of the chosen product.

### INSTALLATION DIRECTION

Always start the installation from left to right. In a room, install the panels so that the planks are in the direction of the light. In long, narrow rooms, such as corridors, **Starfloor Click 30** can be installed in the direction of the room.

### EXPANSION JOINT AND EDGE DISTANCES

Using a suitable spacer, create an expansion joint at least 5 mm wide along the entire periphery. TIP. Use flooring off-cuts as spacers. Also maintain a gap of 5 mm from all fixtures in the room, such as pipes, door frames etc.

In principle, this expansion joint must not be filled with silicone, electric cables or other items.

### THE USE OF SILICONE IS PERMITTED IN THE FOLLOWING EXCEPTIONAL CASES

#### • Damp rooms:

Edge joints in damp rooms of max. 10 m<sup>2</sup>, e.g. bathrooms or kitchens, may be made with silicone in order to avoid any infiltration of water through the expansion joint and onto the installed surface. For all larger areas in damp rooms, we recommend starting by applying insulating tape to the area of the joint before filling it with a quantity of silicone and/or using a skirting board with a sealing lip.

#### • Door frames:

If the door frames cannot be shortened, we recommend a 3 mm gap for the expansion joint, which can be filled with silicone. If the frames can be shortened, make sure that there is a 5 mm expansion joint in relation to the wall.

### INSTALLATION

Place 5mm spacers between the wall and the 1<sup>st</sup> row of planks. Place the 1<sup>st</sup> plank in the left hand corner. Make sure the tongues are visible (identified in green and blue in the drawing). Place the second plank by inserting it in the groove (in blue in the drawing) of the 1<sup>st</sup> plank. Be careful not to damage the corners of the planks. Continue in the same way up to the wall. If the last plank is too long, make a cut by scribing method (taking into account the expansion gap) and place the cut plank to complete the row. Then you can start the second row. The 1<sup>st</sup> plank of the second row should be smaller than the 1<sup>st</sup> plank of the 1<sup>st</sup> row to create a staggered installation. To do so use the rest of the cut last plank of the 1<sup>st</sup> row or use a new plank which you should cut so that it is smaller than the 1<sup>st</sup> plank, but no shorter than 30cm. It's also important that the distance between the 2 short ends (blue in the drawing) is at least of 30cm. Once you have installed the 1<sup>st</sup> plank of the second row, you should assemble the following planks by always starting with their short end tongue (in blue in the drawing). Before inserting the plank in the long side groove (in green in the drawing), slightly raise both planks before pushing them down together. Follow the next steps: slightly raise the short end of the plank (blue part), insert the second plank in the short end groove of the first plank (blue), Insert the tongues of the second plank in the groove of the plank of the first row. You will need to raise slightly the first plank to do so and in order to complete the installation, you will need to push the planks to the floor to lock them. Proceed in the same way to complete the room till the opposite wall. When you come to the last row and the planks are too wide to be installed completely (in full), you have to make a cut by scribing method (taking into account the expansion gap).

Once the installation of the flooring is completed, use a skirting to cover the expansion gap and to obtain a perfect finish.

For a perfect aesthetic result, we recommend the use of Tarkett matching accessories.

### EXPANSION PROFILES WITHIN THE AREA

Rooms with an uninterrupted area of 150 m<sup>2</sup> may benefit from a joint-free installation, taking into account twice the expansion gap (approximately 10 mm). Do not exceed a length of approximately 15 m. Expansion profiles have to be used in rooms that are extremely long and narrow. Room areas interrupted by vertical elements (columns, walls, door frames, etc.) must be divided using expansion joints of at least 5 mm at the same level as these elements. When installing skirting boards, transition profiles or end profiles, the skirting boards or profiles must never be fixed to the floor covering. Contact your Tarkett representative if you would like more information on this.



## Important information on competing the installation

- Remove all of the spacers.

• **Starfloor Click 30** must never be fixed to the subfloor, underlay, furniture or other fixtures.

- The appropriate use of anti-dirt areas and mats greatly reduces dirt deposits. Please use sliders suitable for hard floors if mobile furniture is used. Please provide office chairs and other wheeled equipment with W type castors.
- We recommend the application of a protective coat of TarkoProtect before the finished floor is used.

## Particularities and exceptional situations

- In conservatories, verandas and winter garden behind large windows or where there is significant light exposure, the use of **Starfloor Click 30** may prove critical because of extreme variations in temperature and is therefore not recommended.
- Variations of temperature allowed after installation from 10°C to 28°C, keep those temperature during full life cycle of the LVT Click and minimize those temperature variations. Below or above, the flooring should be glued dow (see the list of recommended adhesives for LVT available on internet).

- The areas close to glass window, picture window, roof window, chimney... should be glued down (see the list of recommended adhesives for LVT available on internet).
- Dyed rubber-based wheels and castors (e.g. vehicle tyres, pneumatic tyres) may cause irreversible colour changes in cases of direct interaction and contact with vinyl surfaces.